

STEREO CONTROL CENTER C-2150



Accuphase Laboratory, Inc.

1

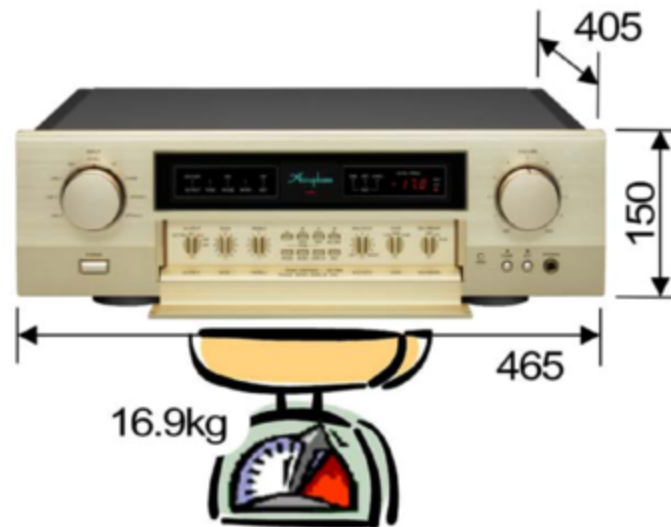
The Accuphase great first model C-200, launched in 1973 as the origin of Accuphase preamplifier, had succeeded in overwhelming market support by offering full-fledged performance and sound quality with multi-functions and user conveniences.

C-2000 which launched in 2004 was the first Stereo Control Center that featured AAVA volume control, the new C-2150 is the 4th generation AAVA-featured Stereo Control Center by renewing C-2120 launched in 2013.

C-2150 realizes 20% lower noise performance and significant improvement of distortion while retaining the multi-functions as Accuphase Stereo Control Center. With spending a long period for sound tuning and components selection, the new C-2150 realizes the fine sound quality coming close to the flagship model and promises to give all music lovers the best audio experience.

Dimensions and Weight

- Same dimensions as the former model
 - Width 465 mm
 - Height 150 mm
 - Depth 405 mm
 - Weight 16.9 kg

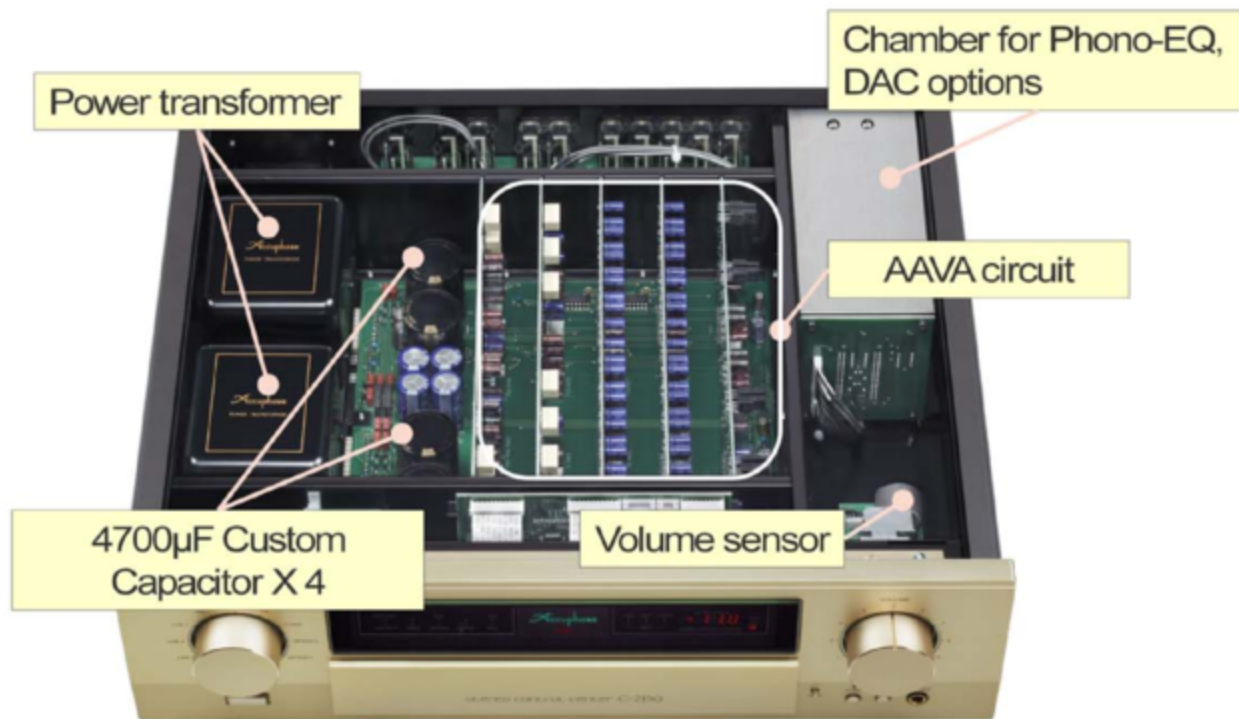


Accuphase Laboratory, Inc.

2

The dimensions of C-2150 are same, but the mass is 100g heavier than the former model C-2120,

Internal view



Accuphase Laboratory, Inc.

3

C-2150 inherits C-2120's internal construction.

C-2150 features separate power supplies for left and right channel, each with a dedicated strong power transformer and 4 pieces of custom-made 4700 μ F capacitors.

This capacitor is specially-designed for C-2150 and has been tuned for optimum sonic properties through the numerous trials.

**C-2120's capacitor was a general purpose one.

Ultra Low Noise

- 24% lower than the former model
 - S/N ratio: 110dB guarantee
 - Input referenced noise: -122dBV guarantee



Actual output noise graph @volume -18dB

Accuphase Laboratory, Inc.

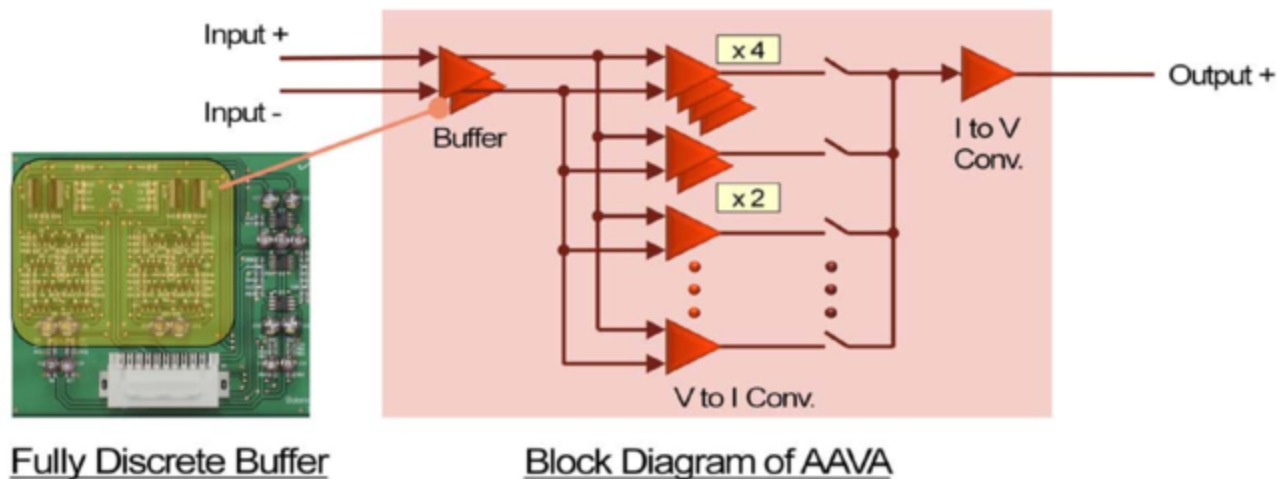
4

C-2120 shows the excellent noise performance.
C-2150 performs even better than C-2120.
C-2150 achieves 24% reduction of the output noise voltage.

C-2150 guarantees,
S/N ratio: 110dB
Input referenced noise: -122dBV

Technology for ultra low noise

- Improvement of AAVA
 - Powerful Input Buffer features instrumentation amplifier configuration.
 - Fourth paralleled largest unit, paralleled second largest unit in “V to I” converter



Fully Discrete Buffer

Block Diagram of AAVA

Accuphase Laboratory, Inc.

5

AAVA (Accuphase Analog Vari-gain Amplifier) is a volume control principle that eliminates all variable resistors from the signal path. This is Accuphase unique technology.

Input buffer amplifier features fully-discrete instrumentation amplifier configuration and minimizes the noise influence at latter stage by setting the input gain high. This ensures powerful drive capability for V-I converter circuit .

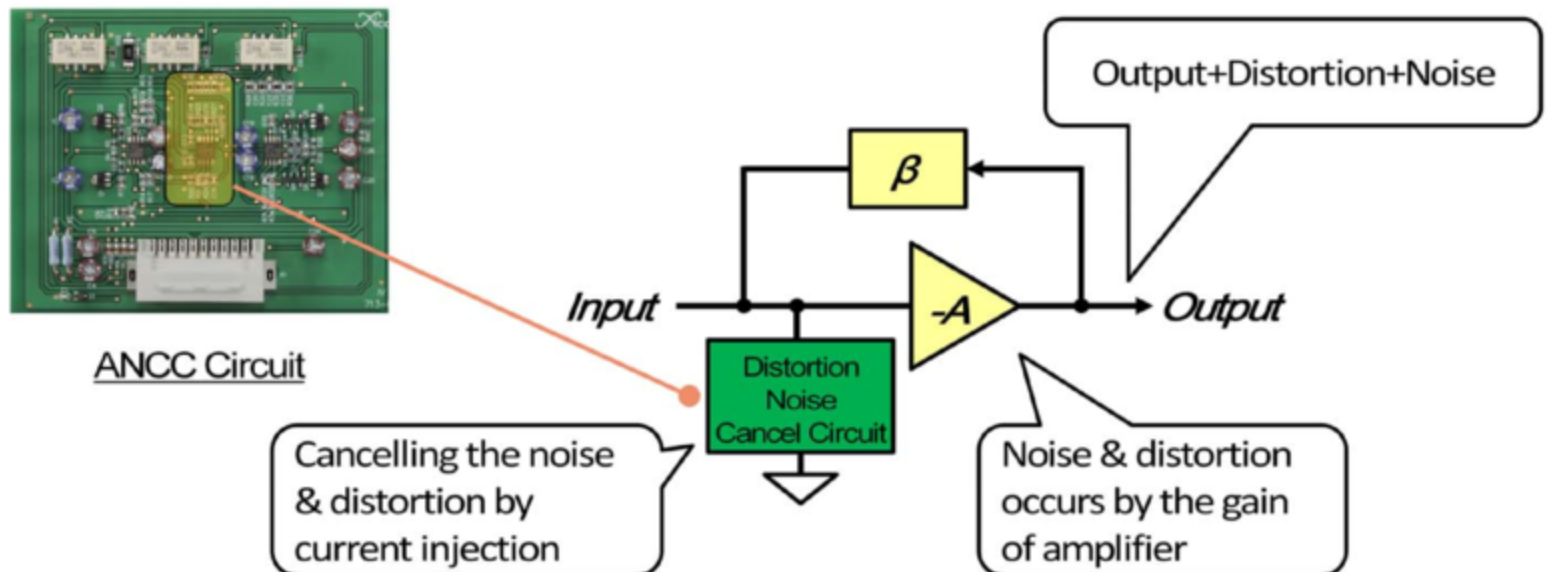
The V-I converter amps are configured with 4 paralleled for the most significant unit, and 2 paralleled for the 2nd. It results in doubled output current and reducing the value and noise of the feedback resistors.

**C-2120 AAVA module does not contain the instrumentation amplifier configuration so the input gain is lower than C-2150.

**V-I converter amps are only 2 paralleled for upper 2 units.

Technology for ultra low noise

- ANCC installed
 - ANCC technology makes the supreme performance



Accuphase Laboratory, Inc.

6

ANCC (Accuphase Noise and distortion Canceling Circuit) topology is installed in I-V Converter of AAVA.

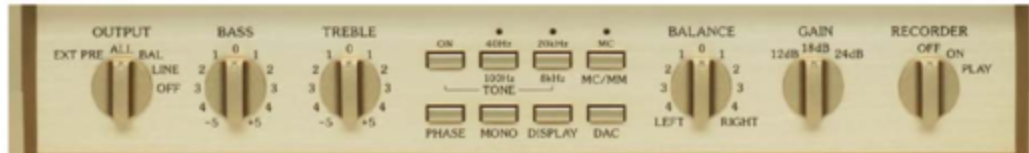
Further low noise and distortion characteristics are achieved by the current injection from ANCC sub amplifier to cancel the noise & distortion.

This ANCC technology is most effective from minimum to normal use volume position.

For C-2150, ANCC is also installed in Balanced output amplifier and Headphone amplifier.

Further more ...

- Function memory
 - The functions of AD Option and DAC Option can be operated from the C-2150 front panel.



- High-quality remote commander



Accuphase Laboratory, Inc.

7

OPTION1 & OPTION2 inputs are available only when the dedicated the Phono Equalizer Unit AD-x0 series or the DAC Unit DAC-x0 are installed.

MC/MM switching of Phono Equalizer Unit and digital input selection & the sampling frequency display of DAC Unit can be performed on the front panel of C-2150.

**Sampling frequency display is expanded to MHz.

An elegant high-quality remote commander is supplied with.